

▶ POST PRESS

▶ MAIL ROOM

▶ BOOKBINDERY

# A sharp solution

RS 821 - Rotary Knife Trimmer with electrical adjustment

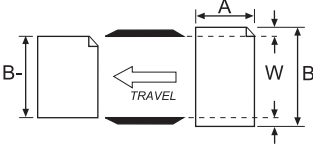


**RIMA  SYSTEM**

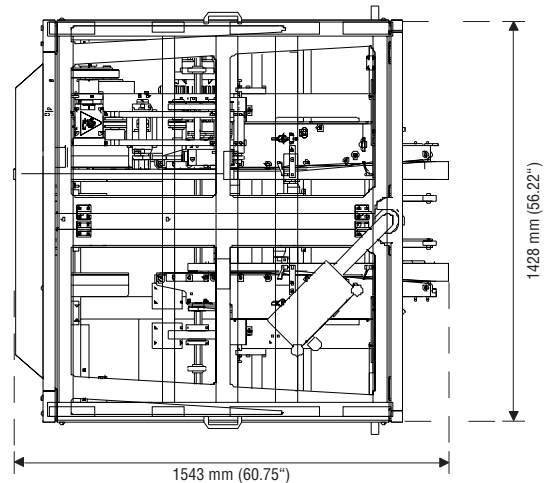
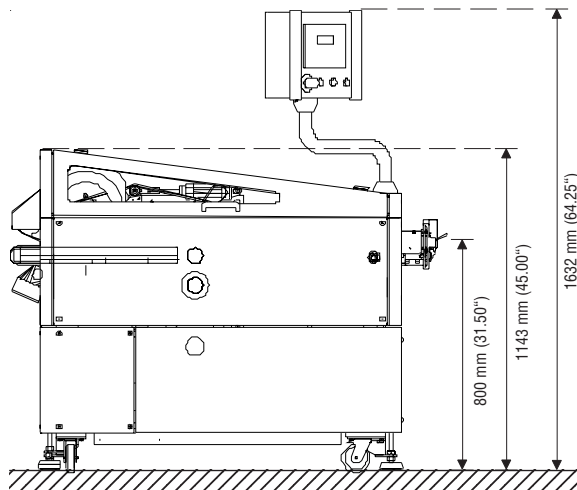
## Requirements & Solutions

Whether head, foot or three-side trimming - the RS 821 with automatic format adjustment guarantees the shortest make-ready time. The integrated job storage (max. 128 jobs) ensures quick order change. The RS 821 is a completely closed machine with large and wide-opening see-through guards that provide perfect view of the trimming area and easy access to all machine parts. Thanks to PLC-controlled and open interfaces the RS 821 is ready for integration in digital workflows (e.g. JDF). As all RIMA-SYSTEM trimmers the RS 821 offers unique features like "Hexbrator Technology", "Integrated Knife Cooling", "Zero Gap Adjustment" and "Multi Knife Technology" for superior trimming quality, maximum lifetime and perfect run-out.

## Technical Data

Formats		Minimum	Maximum
	"A" Dimension	114 mm (4.49")	530 mm (20.87")
	"B" Dimension	98 mm (3.86") before 1-side trim 101 mm (3.98") before 2-side trim	530 mm (20.87") 530 mm (20.87")
	Diagonal	limited by A & B	limited by A & B
Paper waste	"W" Dimension	3 mm (0.12")	50 mm (1.97")
Product width after trimming	"B-" Dimension	95 mm (3.74") after 1-side trim 95 mm (3.74") after 2-side trim	527 mm (20.75") 524 mm (20.63")
Product height	single product shingled stream	2 pages 2 pages	144 pages max. 15 mm (0.6") thickness 512 pages max. 15 mm (0.6") thickness
Speed	adjustable		100 m/min (other on request)
Product orientation	spine leading, spine to the side, spine trailing (product permitting)		
Infeed/delivery height	800 mm (31.50")		
Input power	400 V, 3 Ph, N, PE, 7kW		
Air requirement	practically no consumption, 6 bar		
Suction capacity	air consumption per nozzle: 900m³/h, vacuum: 1960 Pa/N/m², air speed: 30m/sec		
Options	Cold-Set Option, Multi Knife Technology, Trimming Lower Knife		

Technical specification available on request. The manufacturer reserves the right to change the technical specifications without prior notice (RS 821-E-08/04).



**RIMA SYSTEM**  
www.rima-system.com

RIMA-SYSTEM Atlanta, USA  
2840 Johnson Ferry Road, Suite 250  
Marietta, GA 30066, USA  
Phone +1 - 770 - 998 5622  
Fax +1 - 770 - 998 5680  
postpress@rima-system.com

RIMA-SYSTEM Europe, Germany  
Postfach 27 03 49, D - 40526 Düsseldorf  
Monschauer Str. 1, D - 40549 Düsseldorf  
Phone +49 - 211 950090  
Fax +49 - 211 9500911  
info@rima-system.com

RIMA-SYSTEM Corporate Office  
5340 Argosy Avenue, Huntington Beach,  
CA 92649 USA  
Phone +1 - 714 - 893 4534  
Fax +1 - 714 - 892 7010  
rima@rimasystem.com

RIMA-SYSTEM Far East Pte Ltd, Singapore  
11 Stamford Road, # 03-10 Capitol Building  
Singapore 178884  
Phone +65 - 6 338 5580  
Fax +65 - 6 338 5582  
rima@rimasystem.com.sg