

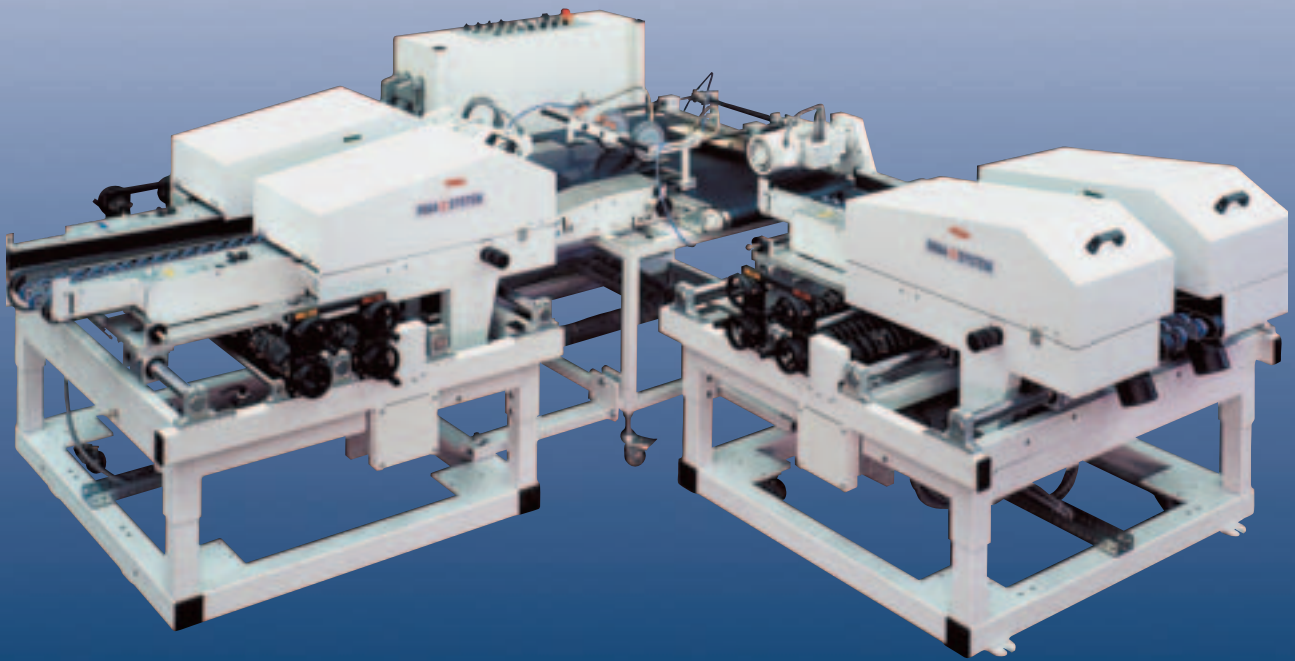
▶ POST PRESS

▶ MAIL ROOM

▶ BOOKBINDERY

A sharp solution

RS 830 - The “all-in-one“ Rotary Trimming Line

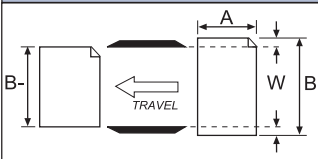


RIMA  **SYSTEM**

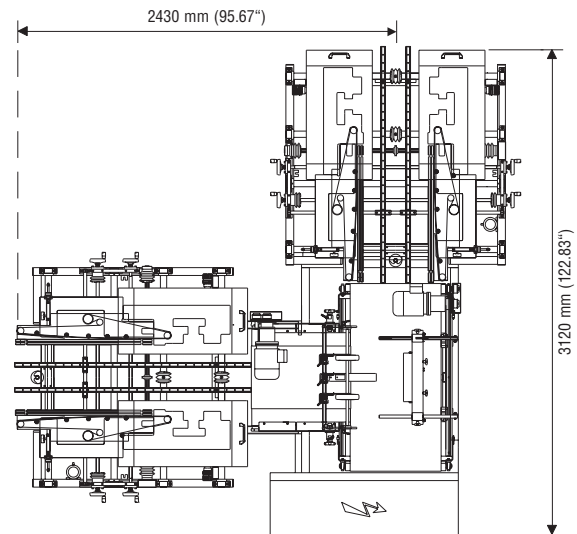
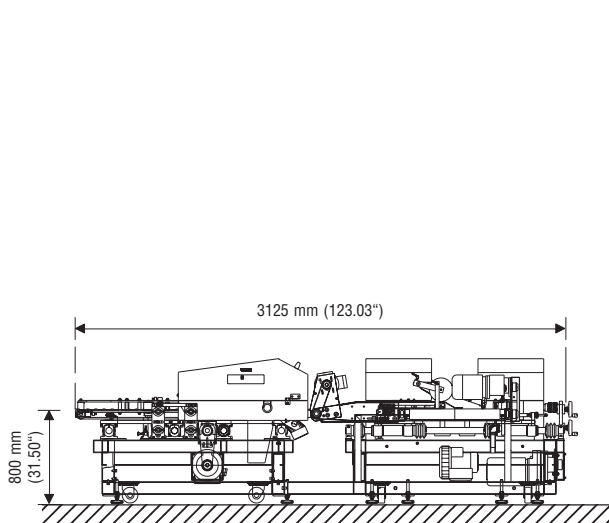
Requirements & Solutions

Whether head-, foot or three-side trimming - the RS 830 Trimming Line fits perfect to all Post Press Systems. It integrates two trimming modules and a bump turn mounted on a compact and movable frame for the flexible application behind various folder deliveries. Unique features like the infeed jogger with "Hexbrator Technology", "Integrated Knife Cooling" and "Zero Gap Adjustment" guarantee superior trimming quality and long edge life and perfect run-out. The new "Multi Knife Technology" allows to operate the RS 830 with serrated carbide knives (standard) and segmented knives (option). Easy knife switching guarantees total flexibility for every production. Highest reliability, low knife prices and inexpensive resharpening minimize the operation costs..

Technical Data

Formats		Minimum	Maximum
	"A" Dimension	114 mm (4.49")	530 mm (20.87")
	"B" Dimension	113 mm (4.45") before 1-side trim 116 mm (4.57") before 2-side trim	530 mm (20.87") 530 mm (20.87")
	Diagonal	limited by A & B	limited by A & B
Paper waste	"W" Dimension	3 mm (0.12")	50 mm (1.97")
Product width after trimming	"B-" Dimension	110 mm (4.33") after 1-side trim 110 mm (4.33") after 2-side trim	527 mm (20.75") 524 mm (20.63")
Product height	single product shingled stream	2 pages 2 pages	128 pages max. 15 mm (0.6") thickness 512 pages max. 15 mm (0.6") thickness
Speed	adjustable		100 m/min (other on request)
Product orientation	spine leading, spine to the side, spine trailing (product permitting)		
Infeed / delivery height	800 mm (31.5")		
Input power	400 V, 3 Ph, N, PE, 14 kW (@ 3 knives), 16kW (@ 4 knives)		
Air requirement	pratically no consumption, 6 bar		
Suction capacity	air consumption per nozzle: 900m ³ /h, ventilating pressure: 1960 Pa (N/m ²), air speed: 30m/sec		
Options	Cold set option (trimmers), straight-out delivery & vacuum assisted delivery belt (bump turn)		

Technical specification available on request. The manufacturer reserves the right to change the technical specifications without prior notice (RS 830-E-07/05).



RIMA SYSTEM
www.rima-system.com

RIMA-SYSTEM Corporate Office, USA
5340 Argosy Drive
Huntington Beach, CA 92649
Phone +1 - 714 - 8934534
Fax +1 - 714 - 8927010

RIMA-SYSTEM Atlanta LLC, USA
2840 Johnson Ferry Road, Suite 250
Marietta, GA 30066
Phone +1 - 770 - 998-5622
Fax +1 - 770 - 998-5680

RIMA-SYSTEM Europe, Germany
Postfach 27 03 49, D - 40526 Düsseldorf
Monschauer Str. 1, D - 40549 Düsseldorf
Phone +49 - 211 - 950090
Fax +49 - 211 - 9500911

RIMA-SYSTEM Far East Pte Ltd, Singapore
11 Stamford Road, # 03-10 Capitol Building
Singapore 178884
Phone +65 - 6 338 5580
Fax +65 - 6 338 5582